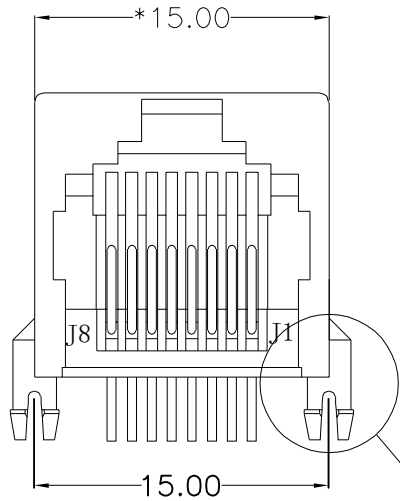
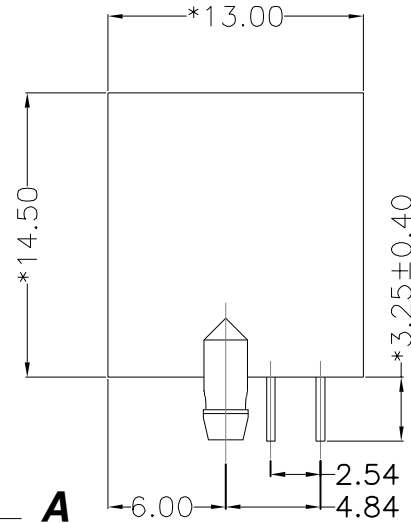


REACH & RoHS  
COMPLIANT

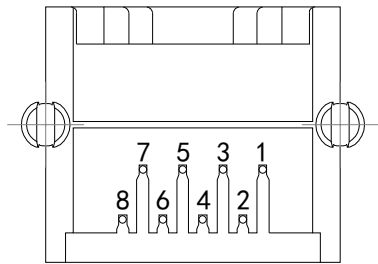
REV.	ECN / DESCRIPTION	BY	DATE
A0	NEW	ZG.Hu	2016.10.10



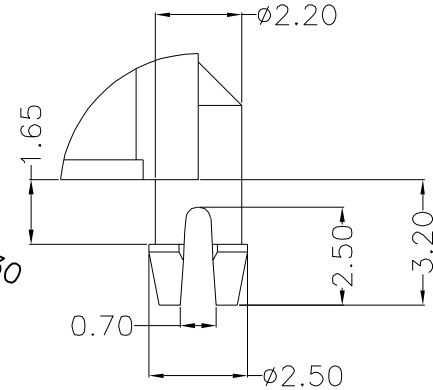
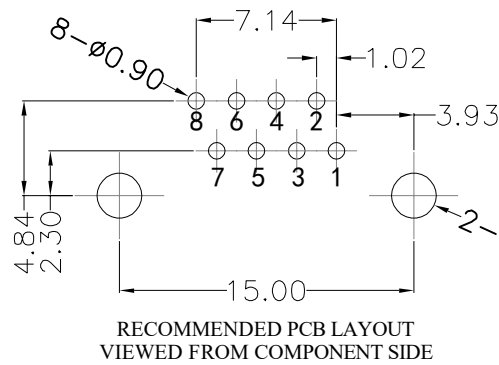
FRONT VIEW



RIGHT SIDE VIEW



BOTTOM VIEW



A(2:1)

**MATERIAL:**

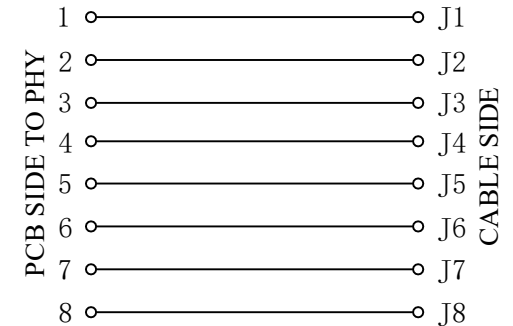
HOUSING: PBT,UL94V-0,BLACK.  
TERMINAL: PHOSPHOR BRONZE  $\varnothing=0.46\text{MM}$ , 6U" GOLD PLATING

**MACHANICAL:**

DURABILITY: 750 CYCLES MIN,12.5MM/MINUTE.  
INSERTION FORCE: 2.2KG.F MAX.  
RETENTION STRENGTH : 7.7KG.F BETWEEN JACK AND PLUG.  
OPERATING TEMPERATURE:  $-40^{\circ}\text{C}\sim+85^{\circ}\text{C}$ .  
STORAGE TEMPERATURE:  $-40^{\circ}\text{C}\sim+85^{\circ}\text{C}$ .  
ALL CRITICAL DIMENSIONS WITH "\*"

**ELECTRICAL:**

VOLTAGE: 125 VOLTS AC.  
CURRENT RATING : 1.5AMP.  
DIELECTRIC STRENGTH: 1000 VAC RMS 50HZ OR 60HZ,1MIN.  
INSULATION RESISTANCE: 500 MEGA OHMS MIN. INITIAL  
AFTER 500V DC FOR 1 MINUTE.  
CONTACT RESISTANCE: SINGLE TERMINAL 30 MILLIOHMS MAX.  
INITIAL 50 MILLIOHMS MAX. AFTER  
DURABILITY TEST.



**DGKYD**

东莞市科优达电子科技有限公司  
Dong Guan Ke You Da Electronic Tech.Co.,Ltd

ADD : No.1 LiHe Street,LiHeng Village,Qingxi town, DongGuan City,GuangDong Province  
Tel:+86-0769-87334608; Fax:+86-0769-87847129 WWW.DGKYD.COM

TITLE: 5521 1X1 8P8C 全塑	SIZE A4	UNITS MM[INCH]	GENERAL TOLERANCES UNLESS SPECIFIED		APPROVED BY: JP.Gong
PART NO.: DGKYD55211188IWA1DY4	SACLE 1:1	REV A0	$x\pm 0.35$	$x^{\circ}\pm 3.0^{\circ}$	CHECKED BY: TW.Xu
REMARK:	SHEET 1/1		$.x\pm 0.30$	$.x^{\circ}\pm 2.0^{\circ}$	DESIGND BY: ZG.Hu
			$.xx\pm 0.25$	$.xx^{\circ}\pm 1.5^{\circ}$	
			$.xxx\pm 0.10$	$.xxx^{\circ}\pm 1.0^{\circ}$	